



4200 kg



230 V

Basic-Line Lift

Item No.: TW 242 A



YouTube
Directly to the product video!



Description

Our starter model is now better than ever, with 2 height adjustable lifting pads and a very low drive-over (only 35 mm). With our Basic-line lift, it is possible to lift anything from a Smart to a small transporter.

Features

- 1A Quality built with CE-Certificate
- Manufactured in accordance to ISO 9001
- Mechanical safety locking mechanism
- High quality special profile supporting posts
- 2 Hydraulic cylinders for powerful lifting and lowering
- Automatic arm-locking system
- Steel cable synchronization
- Duel manual unlocking
- Telescopic lifting arms

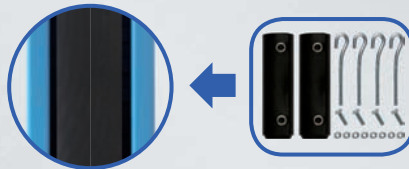
Delivery contents

- Lift incl. Power unit
- Heavy duty anchor bolts (10 pcs.)
- Rubber door protectors
- English instruction manual
- Examination book and CE-Certificate

optionally available:
Transporter adapters
(4 pcs.) See page 27!

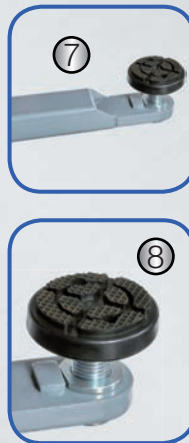
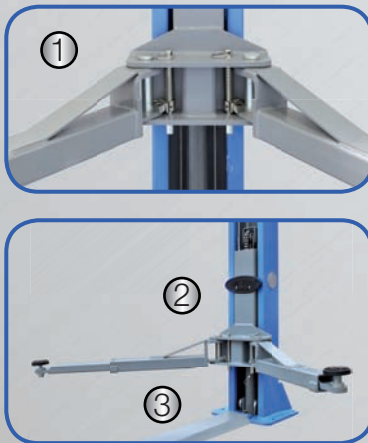


optionally available:
Column chain guard



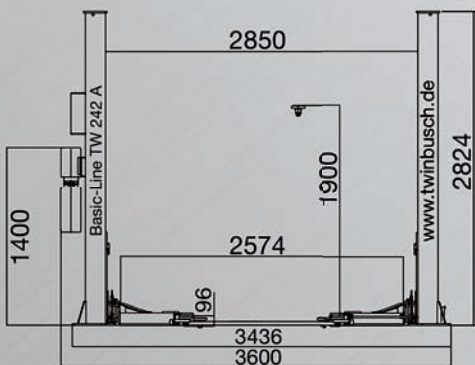
Note try our technical decision helper (on page 28) before buying your 2-post lift(s)!

Details

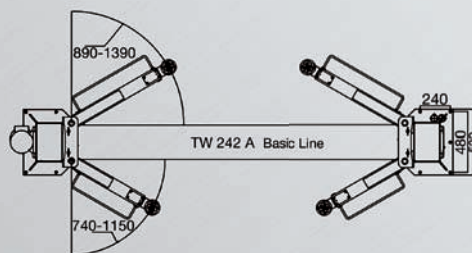


- (1) Automatic arm-locking system
- (2) Asymmetric lifting-arms
- (3) 35 mm high floor plate
- (4) IP 54 Electric-box
- (5) Powerful E-Motor
- (6) Door protector
- (7) Height-adjustable lifting pads
- (8) Low lifting point: 96 mm

Dimensions and technical data | The optional base plate reinforcement



If space is a problem, the lift can also be constructed narrower than the specified total width! How it works? Contact us!



Through experience the required concrete depth (foundation requirement of 200 mm) should be met, this must be checked by the customer. In exceptional cases the foundation requirement is not met, we offer on page 27 a special solution, which can be used with a concrete thickness of 150 mm to 200 mm.

Technical Data: TW 242 A	
Lifting capacity	4200 kg
Lifting height max.	1900 mm/Ad 2050
Lowest lifting point	96 mm
Lifting, lowering time (approx.)	45/30 sec.
Power supply	230 V
Motor power	2,2 kW
Fusing	16 A / type C
Weight (approx.)	600 kg